

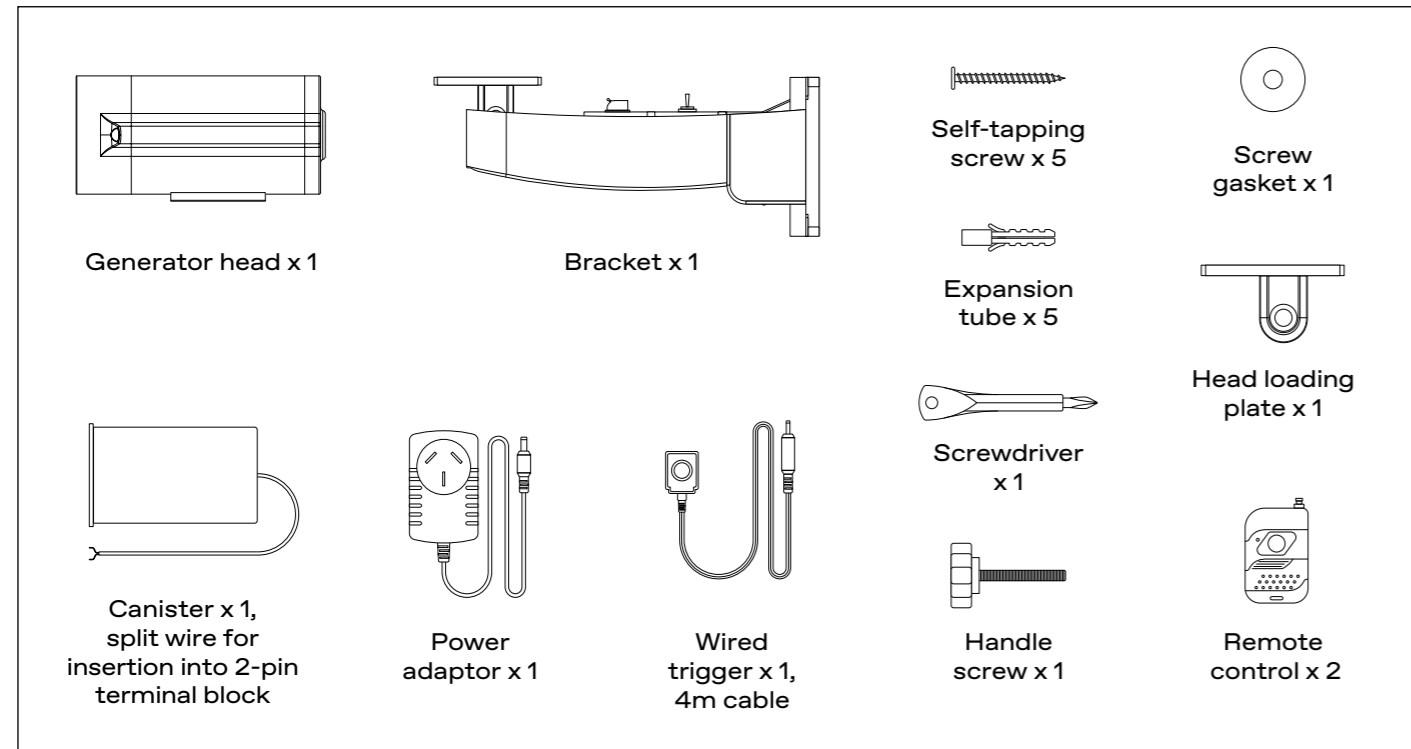
Foggyou™

User Manual

Please read this manual carefully

1. PACKAGE CONTENT

Before installation, it is recommended to check whether the following parts are complete:



2. PRODUCT FEATURES

- Solid smoking material, fast fogging speed
- No corrosion, no residue, natural degradation
- Cold fog technology that will not cause secondary disasters
- Fills the space within seconds
- Easy to install and maintain
- Fog stays for a long time
- Multiple startup methods, seamless integration with other safety devices
- Ultra-low power consumption
- Metal shell, anti-tamper structure

3. PRODUCT SPECIFICATION

| | |
|-----------------------------------|---|
| Dimension (mm) | 158 x 108 x 80 |
| Operation temperature (°C) | -40°C ~ 60°C |
| Weight (kg) | Foggyou Body: 0.9kg Foggyou Bracket: 0.4kg Total: 1.3kg |
| Fog nozzle | 1 |
| Fog angle | Pan range: 0 ~ 360° Tilt Range: -90° ~ +90° |
| Appearance | Black and Yellow Green |
| Starting power supply | DC9V 2A |
| Fogging time (s) | ≥18 |
| Starting time (s) | 0.01 |
| Applicable space (sq. ft.) | 500 - 1000 |
| Standby power (W) | 0.5 |
| Fog lasting (min) | >60 |

4. BEFORE INSTALLATION

Preparation of Main Items

- Generator head x 1
- Bracket x 1
- Expansion tube x 4
- Self-tapping screws x 4

Installation Environment

- The fog generator should be installed indoors.
- The supporting structure must be strong enough to support the weight of Foggyou.
- Power supply close to Foggyou.
- Sufficient space should be left at the installation site to facilitate maintenance operations.

5. INSTALLATION

Step 1: Insert the canister into the generator head

Step 2: Open bracket cover and insert 9v batteries

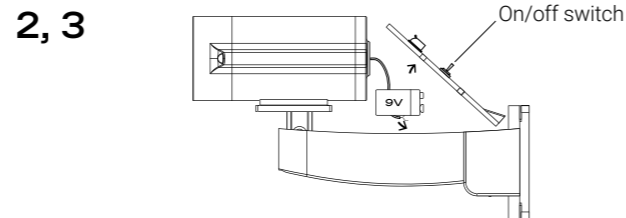
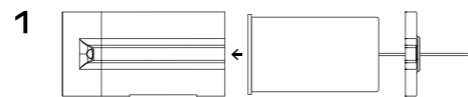
Step 3: Test battery operation using on/off switch. Red light will come on.

Step 4: Plug in power cable. Test power operation using on/off switch

Green light will come on.

Step 5: Connect hard-wire emergency button. To test, switch unit ON, press emergency button (generator disconnected).

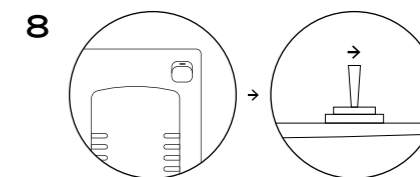
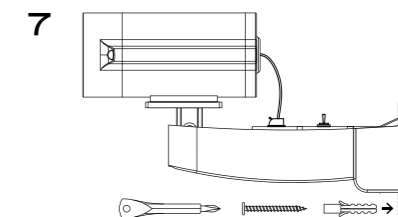
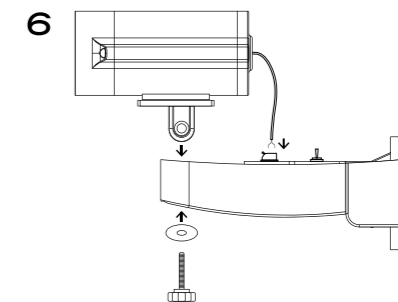
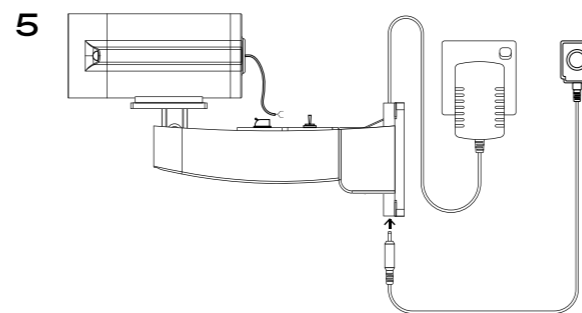
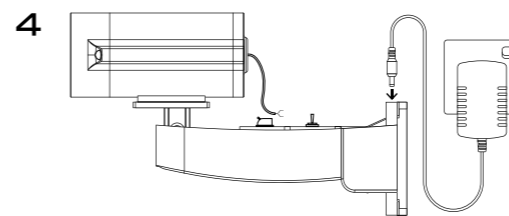
System will beep, red and green lights flash. Switch to OFF.



Step 6: Insert the cables of the canister into the 2-pin terminal block and install the generator head onto the bracket

Step 7: Install the Foggyou on the wall
(Refer to page 4 for mounting guide)

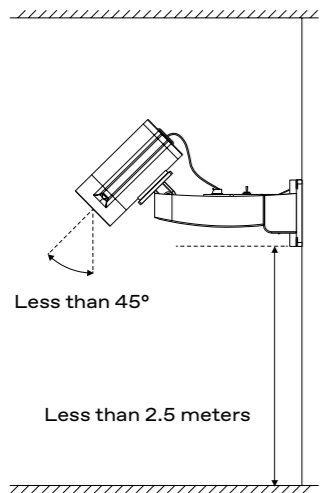
Step 8: Switch on the power



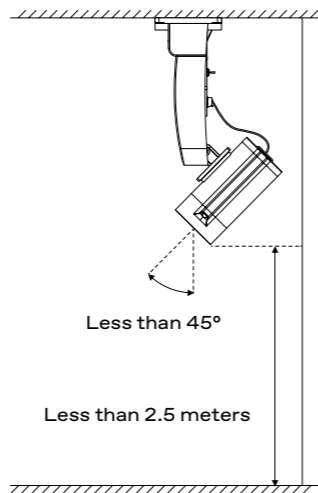
Mounting

Mounting Position

Foggyou unit can be mounted on a vertical wall or horizontally on the ceiling. The recommended height is no more than 2.5 meters.



Wall Bracket Installation



Ceiling Installation

6. OPERATING

Once battery been installed or power adaptor connected, the Foggyou is ready.

Trigger Foggyou

- Press remote button, or
- Press wired trigger button



After being discharged, surface of the device is hot. Contact may cause burn. Do not touch.

Indication Light

- Green light:**
Device is armed, power is being supplied from adaptor
- Red light:**
Device is armed, adaptor power is off, power is being supplied from the battery
(Sound beep: short beep sound one time in every 10 minutes)
- Yellow light:**
Device is armed, adaptor power is off, battery power is low
(Sound beep: short beep sound three time in every 10 minutes)
- Red and green blink at same time for 16 seconds:**
Device is triggered.

7. REPLACE FOGGYOU-AGAIN

- Unplug the connection between Foggyou body and bracket.
- Unscrew Foggyou body lid on two sides.
- Take out the used Foggyou-Again.
- Replace the new Foggyou-Again and put it back to the original position.
- Screw back the two sides of the lid.

* Foggyou-Again should be replaced within 24 months of manufacture.

8. STANDARD LIMITED WARRANTY

Foggyou Sdn Bhd, Foggyou Nz Ltd and subsidiary companies ("the Company") warrants each product to be free from defects in material and workmanship under normal usage for a period of one year from the date of purchase. In the event of such defects within the warranty period, the Company will, at its option, replace or recondition the product without charge.

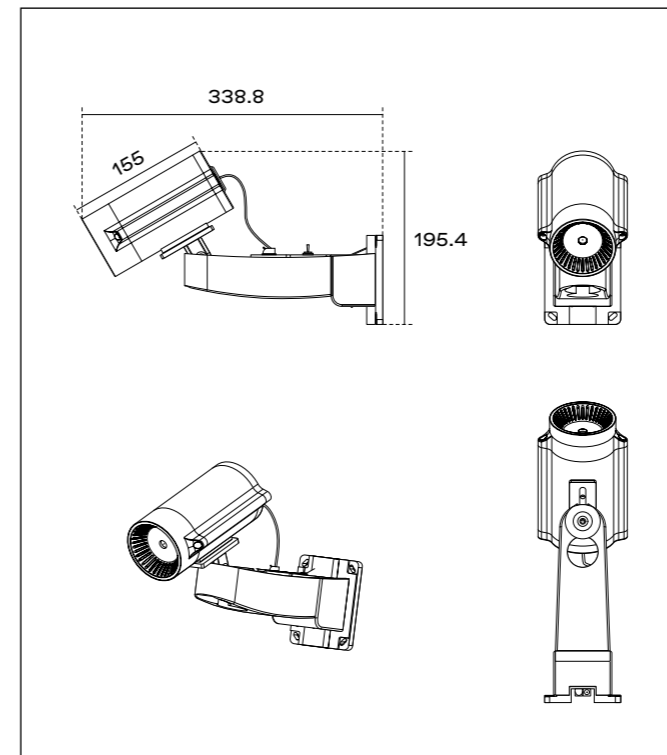
THE WARRANTY SET FORTH HEREIN IS GIVEN EXPRESSLY AND IS THE ONLY WARRANTY GIVEN BY THE COMPANY WITH RESPECT TO THE PRODUCT. THE COMPANY MAKES NO OTHER WARRANTIES, EXPRESS OR IMPLIED. THE COMPANY HEREBY SPECIFICALLY DISCLAIMS ALL OTHER WARRANTIES, EXPRESS OR IMPLIED, INCLUDING BUT NOT LIMITED TO THE IMPLIED WARRANTIES OF MERCHANTABILITY AND FITNESS FOR A PARTICULAR PURPOSE.

The remedy described in the first paragraph of this warranty shall constitute the sole and exclusive remedy for breach of warranty, and the Company shall not be responsible for any incidental, special or consequential damages, including without limitation, lost profits or the cost of repairing or replacing other property which is damaged if this product does not work properly, other costs resulting from labor charges, delays, vandalism, negligence, fouling caused by foreign material, damage from adverse water conditions, chemical, or any other circumstances over which the Company has no control. This warranty shall be invalidated by any abuse, misuse, misapplication, improper installation or improper maintenance or alteration of the product.

9. ⚠ WARNING

- Do not stand for too long in saturated fog. Ventilate the premises for at least 20 minutes within one hour after fog.
- Minors are prohibited from using and purchasing.
- Keep away from fire or high temperature areas.

10. EXTERNAL DIMENSION DIAGRAM



11. WORKFLOW

The wired trigger or Foggyou remote control sends out instruction and the power circuit switches on. The Foggyou is started immediately and release large amount of fog instantly.

12. LIMITATIONS OF FOG CONTROL SYSTEM

When the fog generator is spraying fog, all the smoke detectors will be activated, except for thermal detector or CO detector. Please contact with personnel in charge of local firefighting system to avoid unnecessary loss.

13. TROUBLESHOOTING

| Trouble | Check | Solution |
|--|--|---|
| No indicator light | 1. Make sure battery has sufficient capacity | Change to a brand new 9V alkaline battery. Move to next step if the red indicator light is on. If there is still no red indicator light showing, please contact your distributor for further check up. |
| | 2. Power supply to power point | If the power point has no power supply, please plug the adaptor to a power point with the power supply. |
| | 3. Adaptor | If power point has power supply, but there is no green indicator light after plugging in the adaptor, please contact the distributor to replace a power adaptor. |
| No green indicator light, only red indicator light | Power supply | If the power point has no power supply, please plug the adaptor to a power point with the power supply. If power point has power supply, but there is no green indicator light after plugging in the adaptor, please contact the distributor to replace a power adaptor. |
| Red indicator light is on with beeping sound | Whether power supply is on | Turn on the power supply. |
| Yellow indicator light is on with beeping sound | Change battery | Change to a brand new 9V alkaline battery. Recommended to use power supply from the adaptor instead of backup battery. |
| No fog after trigger | 1. Check canister connector | Ensure the canister is well connected. |
| | 2. Check canister expiry date | If canister is expired, please contact your regional distributor to replace a new canister. |

14. SAFETY

- Comply with all precautions with regard to child's safety. Letting children play with the device or its accessories may be dangerous. The device includes detachable parts that may present a choking hazard. Keep away from children.
- The device and its accessories are not intended for use by children.
- Remote control and wired trigger should only be in reach of trained adults familiar with Foggyou operation and purpose.

15. ACCESSORIES

- Using an unapproved or incompatible power adaptor, charger or battery may cause fire, explosion or other hazards.
- Choose only accessories approved for use with this model by the device manufacturer. The use of any other types of accessories may void the warranty, may violate local regulations and laws, and may be dangerous. Please contact your retailer for information about the availability of approved accessories in your area.

16. POWER ADAPTOR SAFETY

- The power plug is intended to serve as a disconnect device.
- For pluggable devices, the socket-outlet shall be installed near the device and shall be easily accessible.
- Unplug the power adaptor from electrical outlets and the devices when not in use.
- Do not drop or cause an impact to the power adaptor. If it is damaged, take it to an authorised service centre for inspection.
- If the power cable is damaged (for example, the cord is exposed or broken), or the plug loosens, stop using it at once. Continued use may lead to electric shocks, short circuits, or fire.
- Do not touch the power cord with wet hands or pull the power cord to disconnect the power adaptor.
- Do not touch the device or the power adaptor with wet hands, doing so may lead to short circuits, malfunctions or electric shocks.
- If your power adaptor has been exposed to water, other liquids, or excessive moisture, take it to an authorised service centre for inspection.
- Ensure the power adaptor meets the requirements of clause 2.5 in IEC60950-1/EN60950-1/UL60950-1 and has been tested and approved according to national or local standards.

17. INSTALLATION ADVICE

If unsure, please contact a professional installer.

18. ALARM INTEGRATION

Foggyou can be connected to an alarm system utilising the wired trigger port: Dry connection, normally open, going closed. Professional installation is recommended.

